

XMLPM00GC7BF

Electronic pressure sensors, Pressure sensors XM, vacuum transmitter -1 bar, 0...10 V DC, 7/16 20UNF female, FPM, DIN



Product availability: Non-Stock - Not normally stocked in distribution facility

Price*: 171.00 USD



Main

Range of product	OsiSense XM
Product or component type	Electronic pressure sensors
Pressure sensor type	Pressure transmitter
Pressure sensor name	XMLP
Electrical circuit type	Control circuit
Pressure sensor size	-14.50...0.00 Psi (-1...0 bar)
Local display	Without
Current consumption	< 7 mA
Type of output signal	Analogue
Quantity per set	Set of 1
Type of packing	Individual

Complementary

Pressure setting range	-14.50...0.00 Psi (-1...0 bar)
Maximum permissible accidental pressure	43.51 Psi (3 bar)
Destruction pressure	72.52 Psi (5 bar)
Materials in contact with fluid	Fluorocarbon FPM Ceramic Stainless steel AISI 316L
Operating position	Any position
Protection type	Load short-circuit Reverse polarity
[Uimp] rated impulse withstand voltage	0.5 KV
Measurement accuracy	+/- 0.5 % of the measuring range
Accuracy	0.1 % of the measuring range
Drift of the sensitivity	+/- 0.02 % of measuring range/°K
Drift of the zero point	+/- 0.02 % of measuring range/°K
Repeat accuracy	+/- 0.25 % of the measuring range
Mechanical durability	10000000 Cycles

Net weight	0.21 Lb(US) (0.095 kg)
Diameter	1.02 In (26 mm)
Length	2.28 In (58 mm)

Environment

Standards	EN/IEC 61326-2-3 NSF ANSI 61
Product certifications	CULus CE RCM EAC
Ambient air temperature for operation	-22...185 °F (-30...85 °C)
Ambient air temperature for storage	-58...212 °F (-50...100 °C)

Ordering and shipping details

Category	21561 - XMLK,XMLP PRESSURE TRANSMITTERS
Discount Schedule	DS2
GTIN	3389119625012
Nbr. of units in pkg.	1
Package weight(Lbs)	3.35 Oz (95 g)
Returnability	No
Country of origin	CH

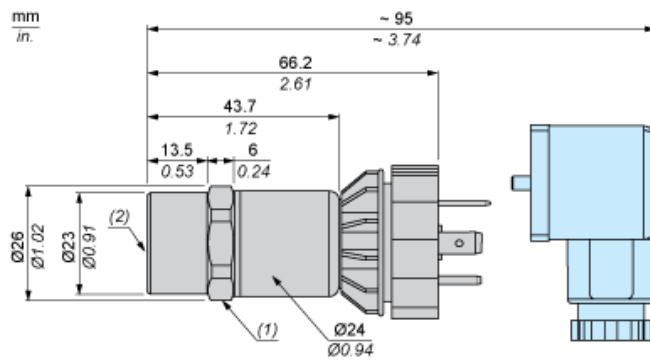
Packing Units

Unit Type of Package 1	PCE
Package 1 Height	1.61 In (4.1 cm)
Package 1 width	1.77 In (4.5 cm)
Package 1 Length	3.35 In (8.5 cm)

Offer Sustainability

Sustainable offer status	Green Premium product
California proposition 65	WARNING: This product can expose you to chemicals including: Diisononyl phthalate (DINP), which is known to the State of California to cause cancer, and Di-isodecyl phthalate (DIDP), which is known to the State of California to cause birth defects or other reproductive harm. For more information go to www.P65Warnings.ca.gov
REACH Regulation	REACH Declaration
REACH free of SVHC	Yes
EU RoHS Directive	Pro-active compliance (Product out of EU RoHS legal scope) EU RoHS Declaration
Mercury free	Yes
RoHS exemption information	Yes
Environmental Disclosure	Product Environmental Profile

Dimensions



- (1) SW24 tightening torque ≤ 10 N.m / 221 lb-in
- (2) 7/16-20 UNF inside

Connection and Schema

Wiring Diagram

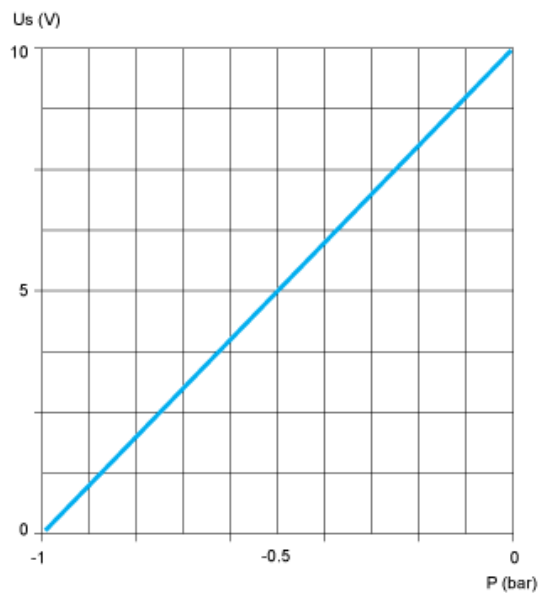
2-Wire Technique (4-20 mA)



(a) V out

Performance Curves

Curves



Product Life Status : **Commercialised**